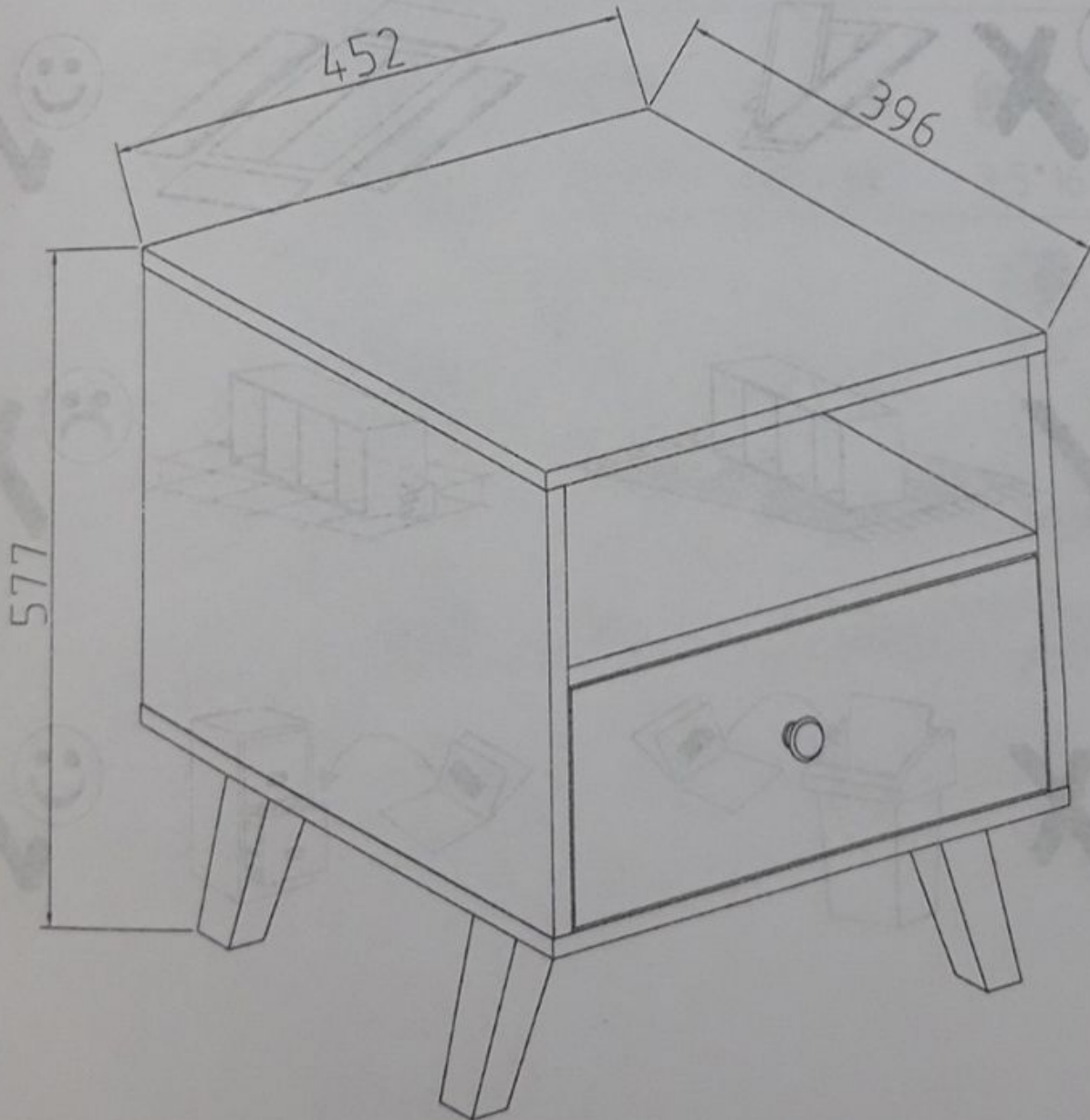



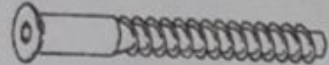
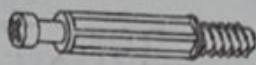




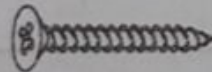
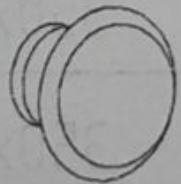


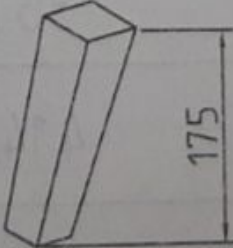
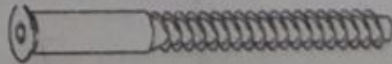




Erika

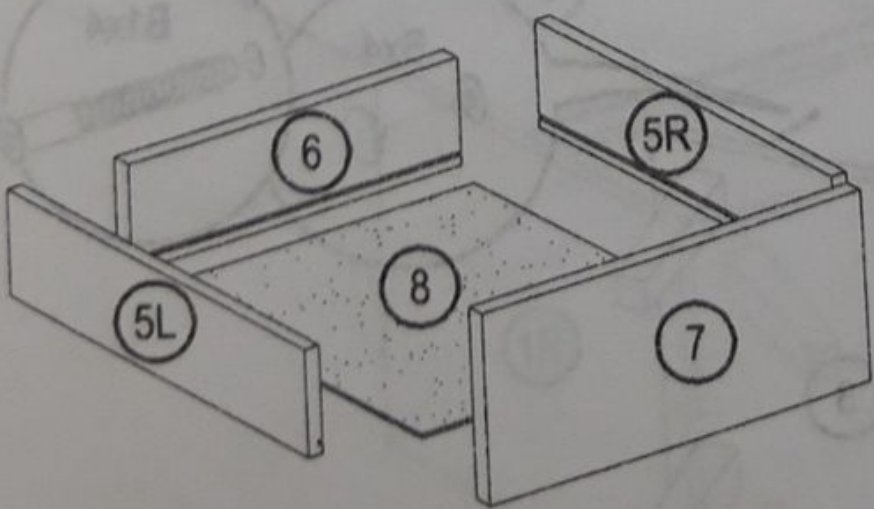
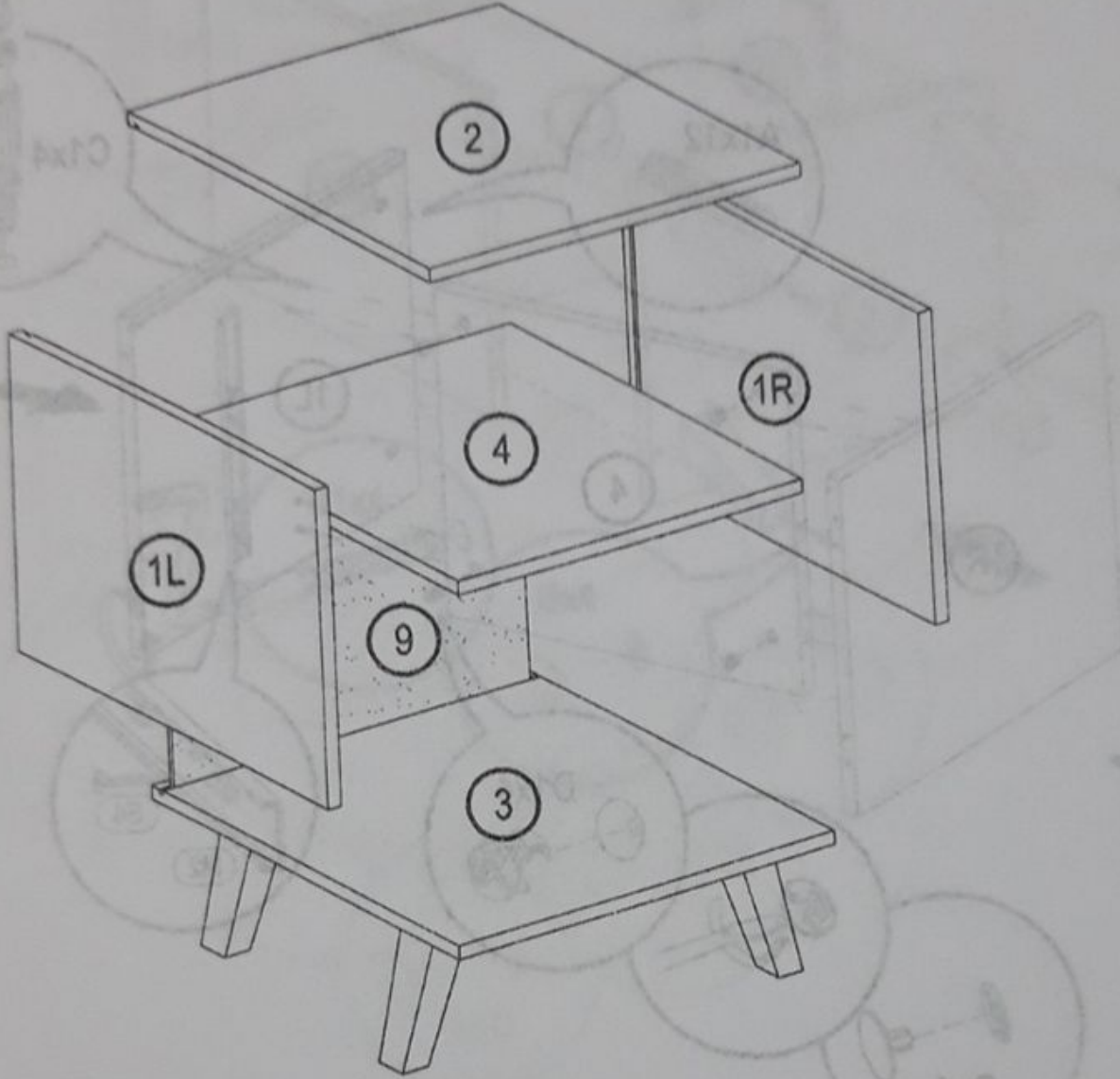
BEDSIDE CABINET



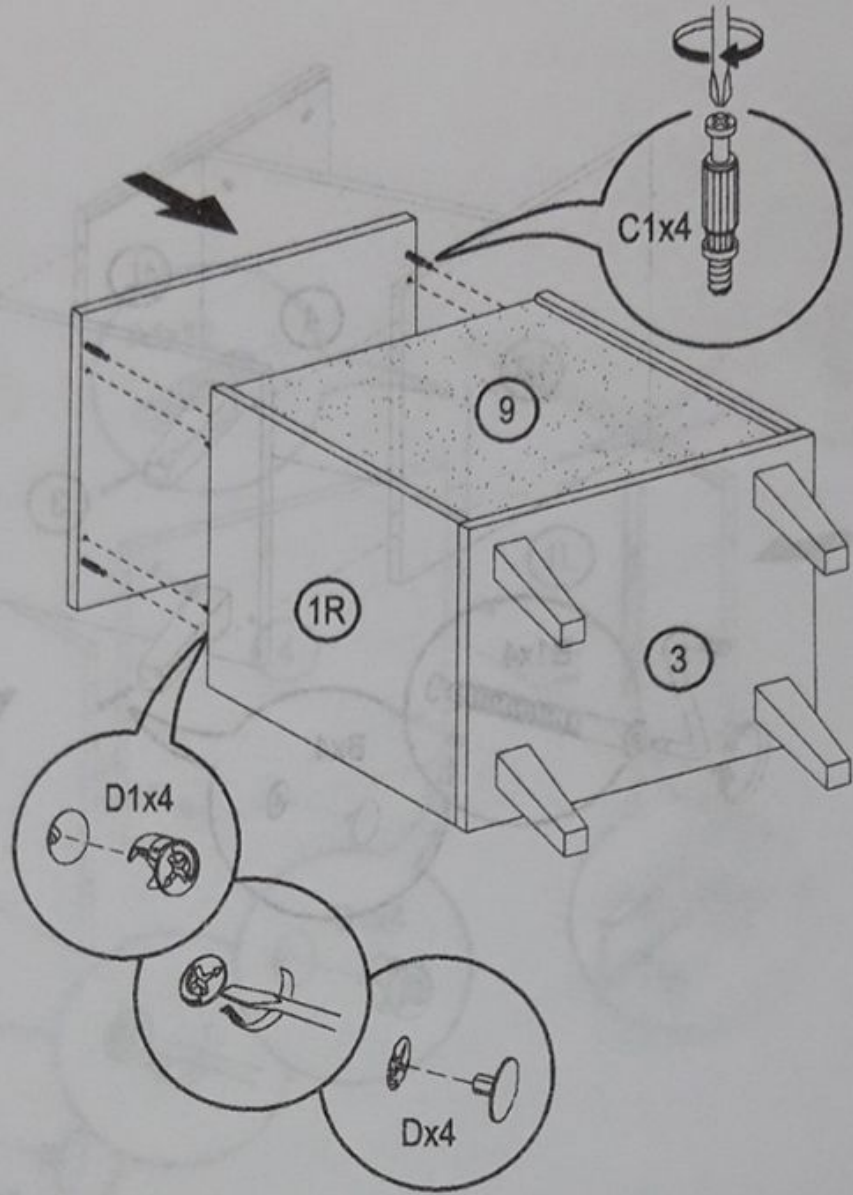
 A1 8*30mm x20	 U5 20*20mm x4	 M2 350mm x1
 B1 6,3*50mm x6	 C1 5*43mm x10	 D1 15/16 x10
 D ϕ 20mm x10	 B ϕ 12mm x10	 E4 3,5*16 x8
 E10 4*30mm x1	 I22 x1	 H2 x6
 R4 x1	 K17 x4	 B2 6,8*70mm x4

BEDSIDE CABINET

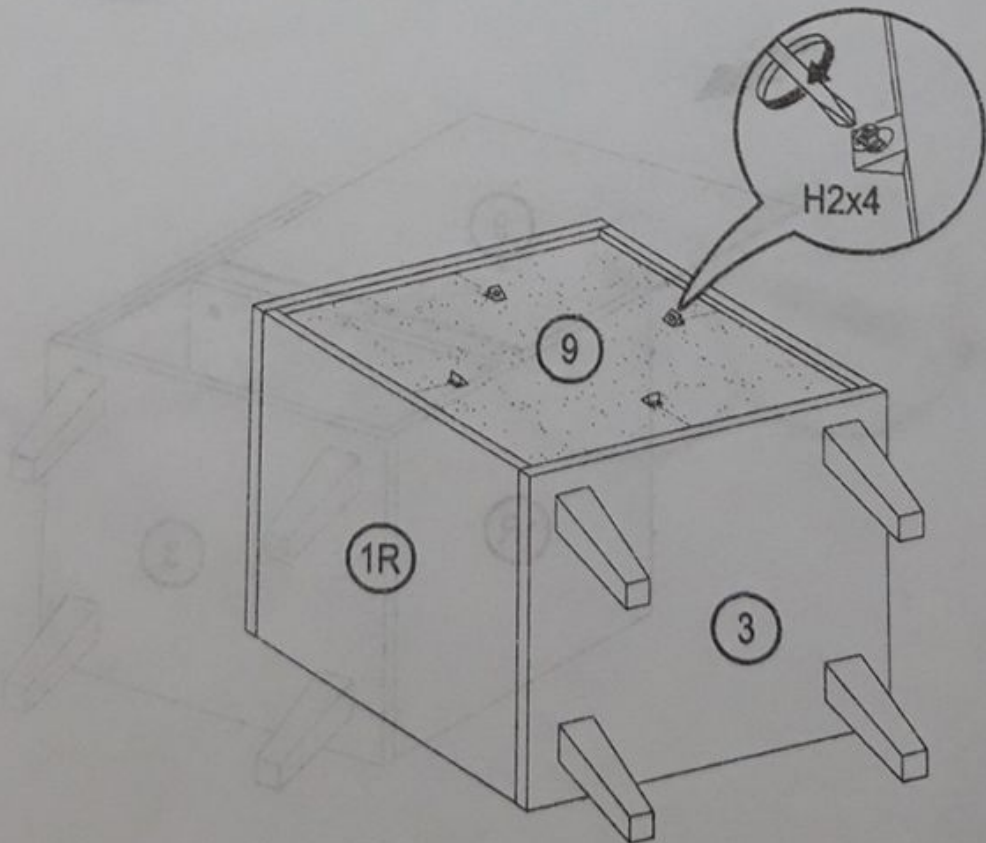
No	a*b	x
1R	396x370	1
1L	396x370	1
2	452x396	1
3	452x396	1
4	418x382	1
5R	350x110	1
5L	350x110	1
6	361x110	1
7	414x195	1
8	371x344	1
9	379x427	1



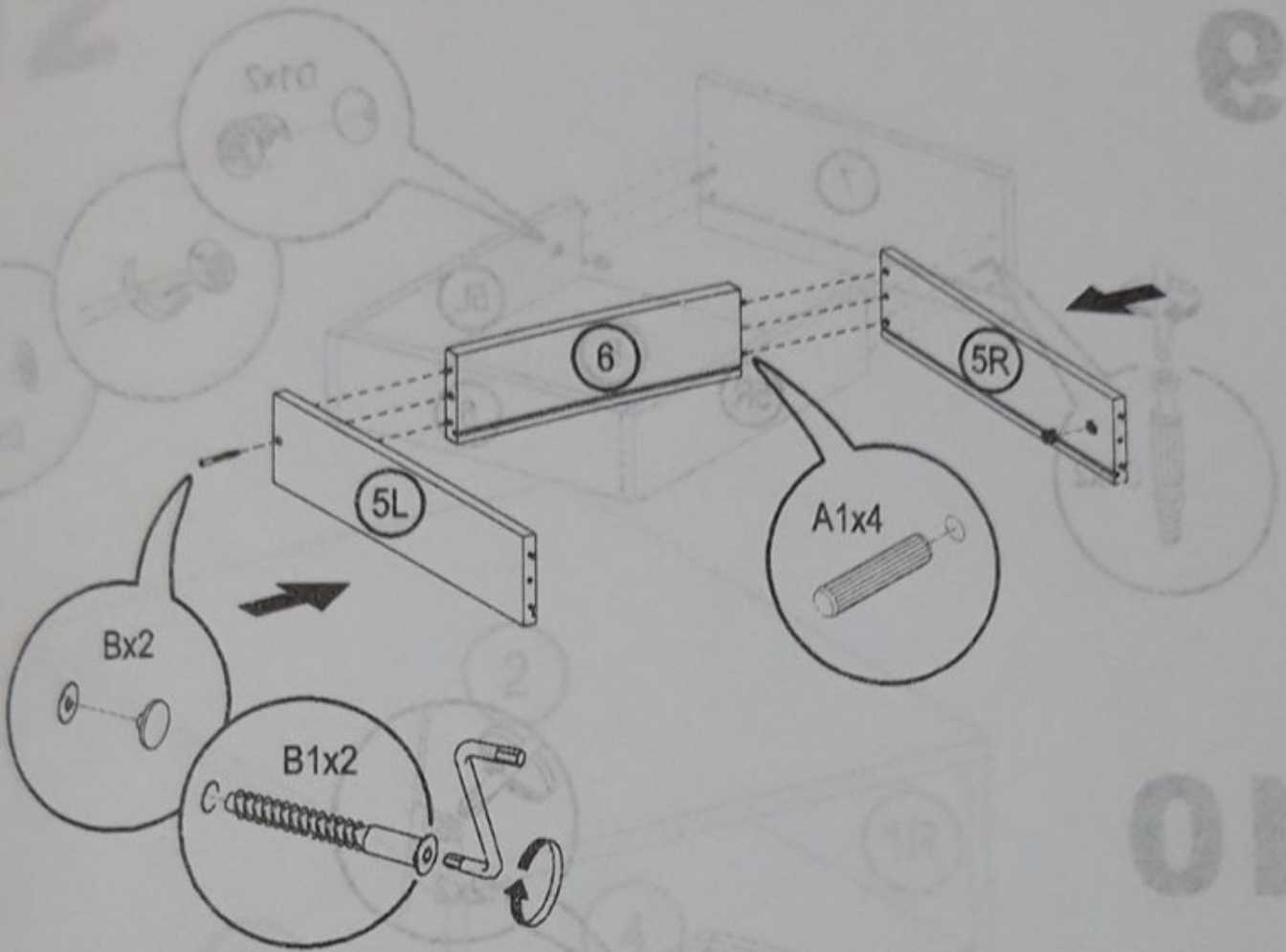
15



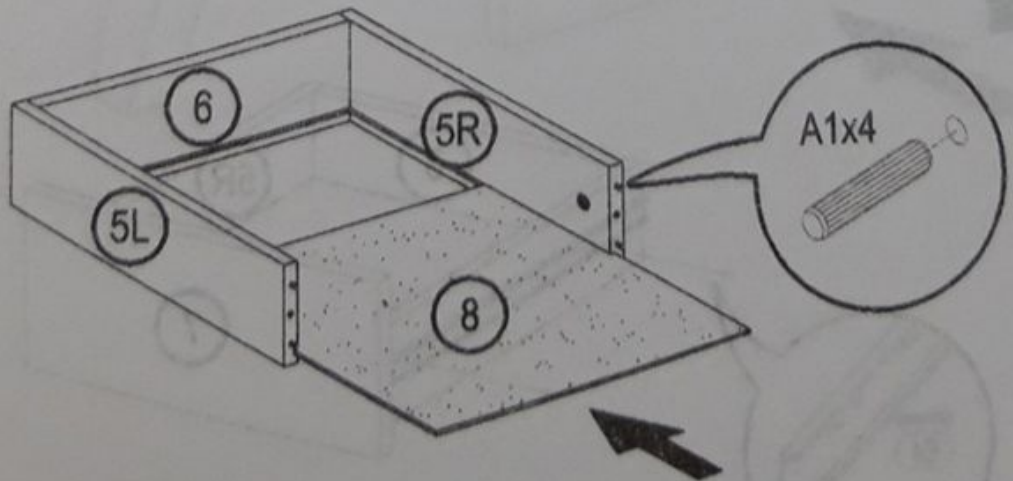
26



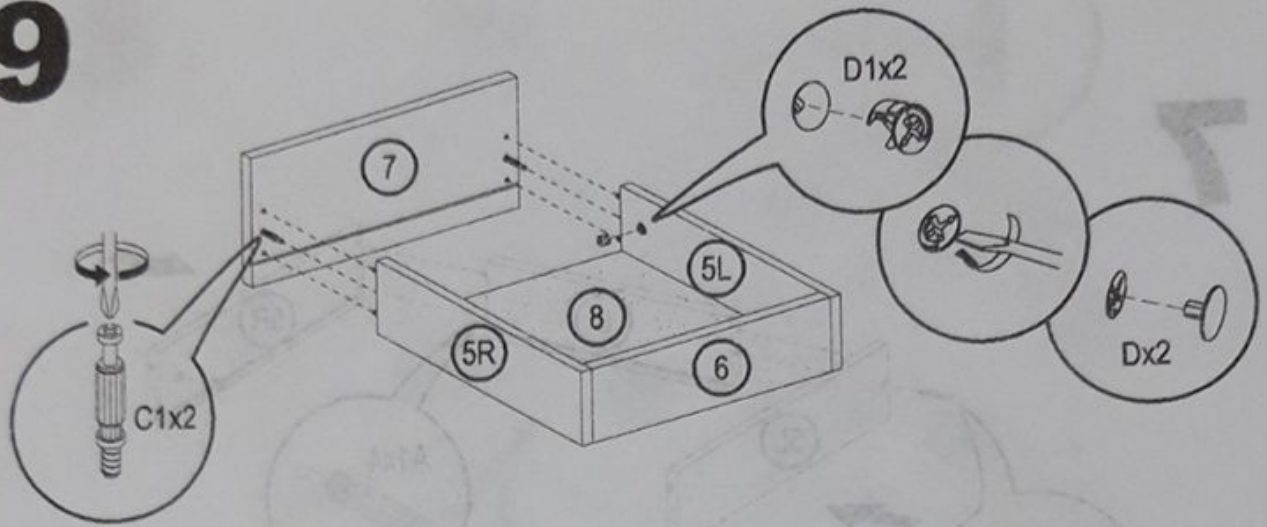
7



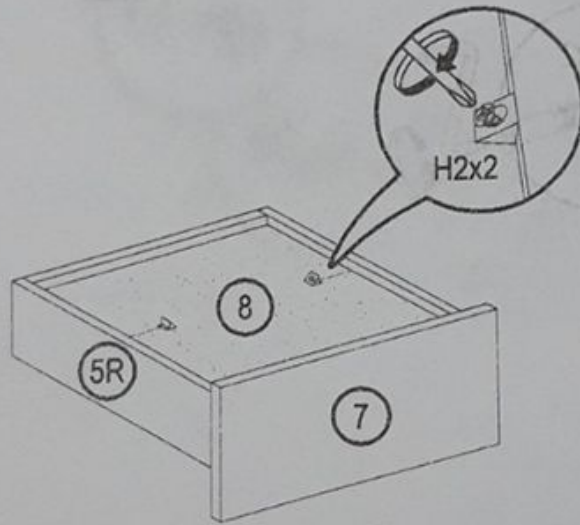
8



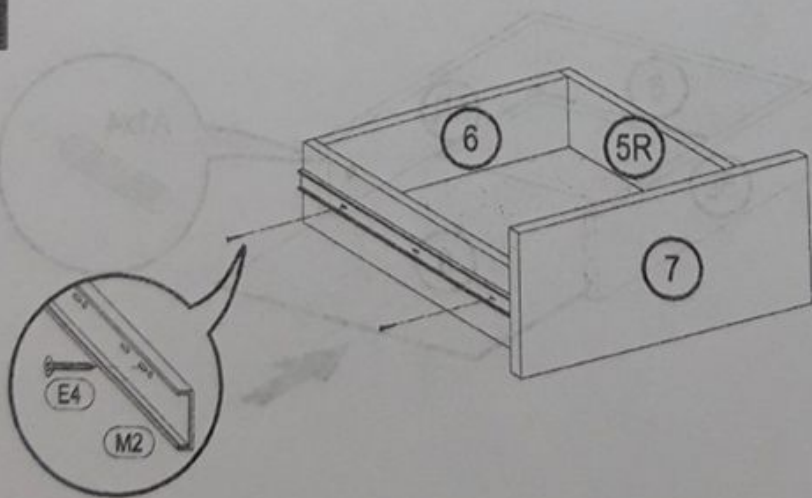
9



10



11



12

